

HS-BM123

12-Inch Monochrome, High Resolution Monitor

Product Features

- With 1,000 TV lines resolution
- Convenient front panel control
- With carrying handle at top
- Steel cabinet with plastic front panel
- Compatible with CCTV type cameras
- With optional audio function
- Rack mountable
- 96~256 Vac power input



Description

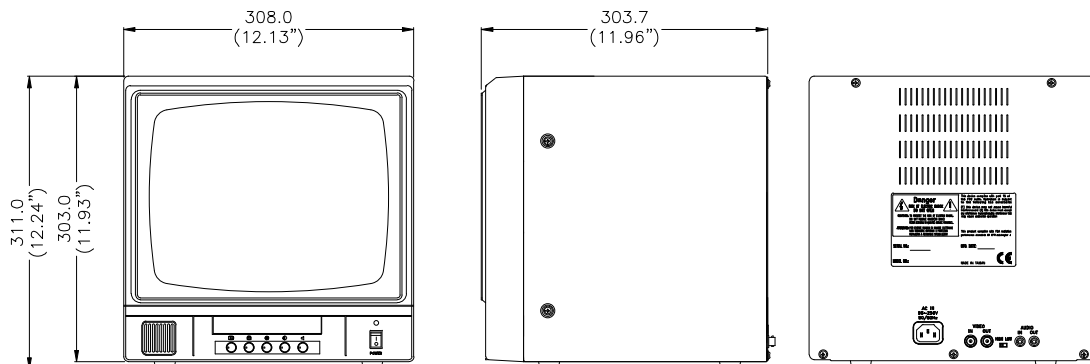
The HS-BM123 series, monochrome Closed-Circuit Video Monitor, produce high resolution high contrast pictures on a 12-inch (31-cm) diagonal screen.

This series have solid-state circuitry including video loop-through connectors with a switchable high-Z/75-ohm termination on the rear panel. A fast-acting horizontal automatic-frequency-control (AFC) circuit is incorporated for stable playback from a video cassette recorder. Stable circuit voltage during conditions of fluctuating line voltage is maintained by a regulated power supply.

The series are housed in an enameled steel cabinet with a recessed plastic carrying handle. Controls for Brightness, Contrast, Horizontal Hold, Vertical Hold and power On/Off are located in the front of the unit for easy access.

This series provide the optimum solution for a variety of CCTV surveillance applications where clear, high quality pictures and proven system reliability are required.

Dimension



Specification

Model

HS-BM123	12-inch Monochrome high resolution (B / W) monitor
HS-BM123A	12-inch Monochrome high resolution (B / W) monitor with audio

General

Construction	Steel cabinet with plastic front panel
Finish	Black or white case with black or white front panel
Dimensions (W x H x D)	308 x 311 x 303.7 mm
Picture Tube Dimension (Measured diagonally)	12" (31 cm)
Weight (per unit)	N.W./G.W.: 9 kg /10.5 kg
Master Carton	2 pcs/ctn
Front Panel Controls	Power ON/OFF: rocker switch H-HOLD/V-HOLD/CONTRAST/BRIGHT: rotary control VOLUME: rotary control
With Audio Monitor	

Electrical

Input Voltage	96~256 Vac, 60Hz / 50Hz
Power Consumption	30 W
Input Signal	0.5 to 2.0 Vp-p composite video, negative synchronization
Input Impedance	75 ohms or high (switchable)
Bandwidth	100 Hz to 10 MHz
Video Gain	30 dB
Resolution	
Center	1,000 lines
Corner	800 lines
Linearity	
Horizontal	15% maximum
Vertical	10%
Overscan	< 10%
Operation System	
EIA	
Horizontal	15,750 Hz \pm 400 Hz
Vertical	60 Hz
CCIR	
Horizontal	15,625 Hz \pm 400 Hz
Vertical	50 Hz
Connections	
Video (In / Out)	BNC x 2
With Audio Monitor	
Audio (In / Out)	RCA Jack x 2
Audio input signal	10 ~ 150mVp-p
Audio amplifier	1W / 8 Ω
Speaker	Included

Environmental

Operation Temperature	-10 to 50 °C (14 to 122 °F)
Storage Temperature	-20 to 70 °C (-4 to 158 °F) (30-90%RH)

Certifications

UL, CE, CSA, FDA, FCC, CUL, TUV, GOST