

HS-BM093

9- Inch Monochrome, High Resolution Monitor

Product Features

- With 1000 TV lines resolution
- Convenient front panel control
- With carrying handle at top
- With compatible 96~256 Vac power input
- For application with CCTV type cameras
- Optional audio function



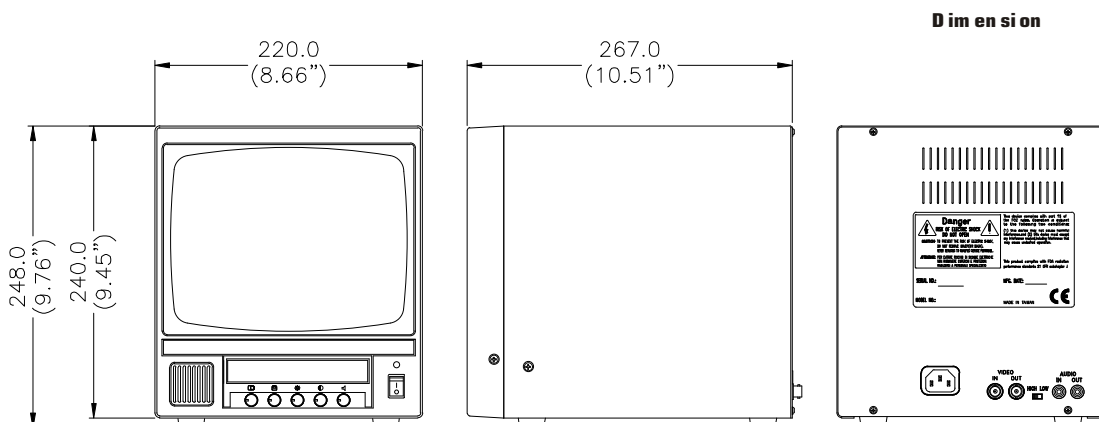
Description

The HS-BM093 series, high resolution monochrome video monitors, are designed for using with CCTV type cameras and can be used in desktop applications or rack mounted in a standard 19-inch rack using the optional easy-to-assemble rack mount kits available.

The cabinet is made of steel for ruggedness and durability, and with the exception of the picture tube, the circuitry is all solid-state. The HS-BM093 series are also feature video loop-through connectors with switchable high-Z / 75-ohm termination.

Controls for Brightness, Contrast, Horizontal Hold, Vertical Hold and AC power On / Off are located in the front of the monitor.

The HS-BM093 series monitor provide the optimum solution for a variety of CCTV surveillance applications where clear, high quality pictures and proven system reliability are required.



Specification

Model	
HS-BM093	9-inch Monochrome high resolution (B / W) monitor
HS-BM093A	9-inch Monochrome high resolution (B / W) monitor with audio

General

Construction	Steel cabinet with plastic front
Finish	Black finish or white case with black or white front panel
Dimensions (H x W x D)	248 x 220 x 267 mm
Picture Tube Dimension (Measured diagonally)	9" (23 cm)
Weight (per unit)	N.W./G.W.: 6 kg /6.8kg
Master Carton	2 pcs/ctn
Front panel Controls	Power ON/OFF: push button switch H-Hold/V-HOLD/CONTRAST/BRIGHT : rotary control
With Audio Monitor	VOLUME: rotary control

Electrical

Input Voltage	96 ~ 256 Vac 50Hz / 60Hz
Power Consumption	28 W (Max.)
Input Signal	0.5 to 2.0 Vp-p composite video, negative synchronization
Input Impedance	75 ohms or higher (switchable)
Bandwidth	100 Hz to 10 MHz
Video Gain	30 dB
Resolution	
Center	1,000 lines
Corner	800 lines
Linearity	
Horizontal	15% maximum
Vertical	10%
Overscan	< 10%
Operation System	
EIA	
Horizontal	15,750 Hz \pm 400 Hz
Vertical	60 Hz
CCIR	
Horizontal	15,625 Hz \pm 400 Hz
Vertical	50 Hz
Connections	
Video (In / Out)	BNC x 2
With Audio Monitor	
Audio (In / Out)	RCA Jack x 2
Audio Input Signal	10 ~ 150mVp-p
Audio Amplifier	1W / 8 Ω
Speaker	Included

Environmental

Operation Temperature	-10 to 50 $^{\circ}$ C (14 to 122 $^{\circ}$ F)
Storage Temperature	-20 to 70 $^{\circ}$ C (-4 to 158 $^{\circ}$ F) (30-90%RH)

Certifications

UL, CE, CSA, FDA, FCC, CUL, TUV, GOST