

8Camera B/W Duplex Multiplexer



QSP860MPX

TV is proud to announce the "New Look" of our QSP860MPX. It's the same 8 camera B/W Duplex Multiplexer with 3x3 display. The 860 offers Covert Camera, Camera Switch Input (to synchronize with the VCR) and many other high-end features at an unbeatable price. Includes Remote Control.

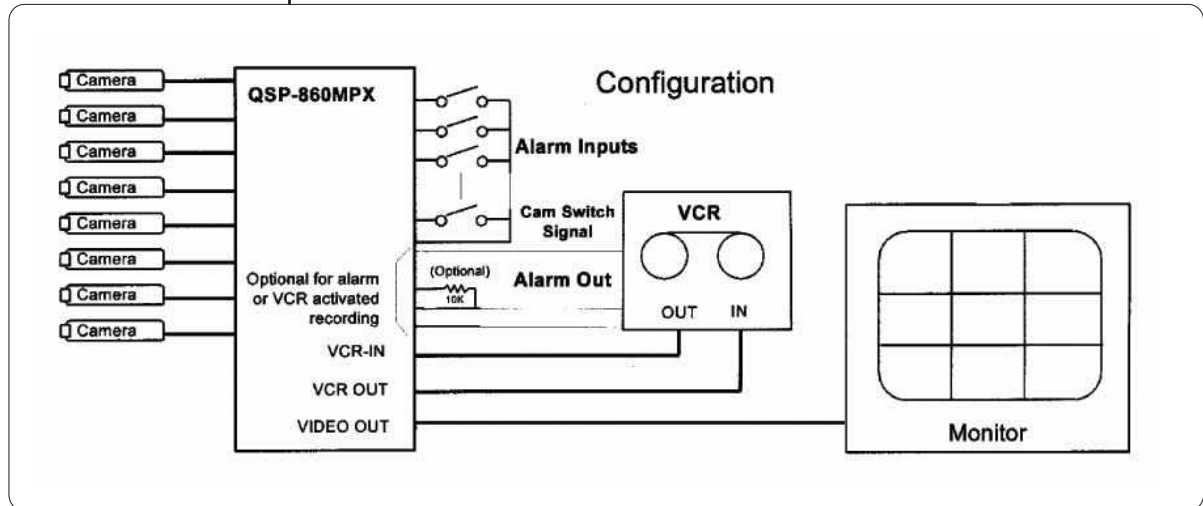


IR Remote

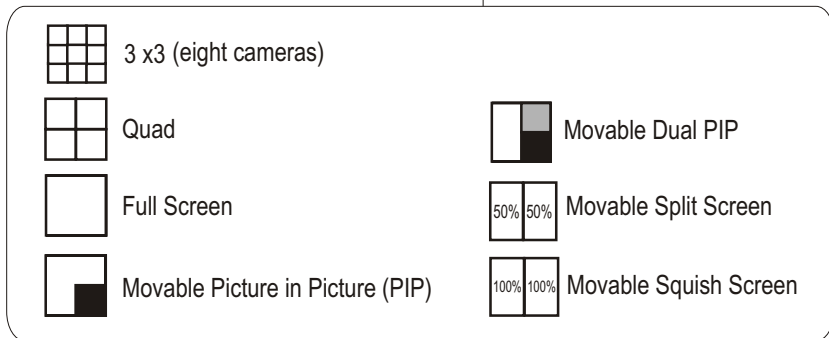
Main Features

- 8 Camera Input
- 4 Camera Looping Output
- Freeze/ Master Enable Input
- 8 Alarm Inputs
- Live Roll Free Sequencing
- On Screen Menu / Advanced Menu
- Time and Date
- Alarm Log, Alarm Scheduling
- Alarming, Custom Alarming
- Enhanced Security Lockout
- Camera Switch Input
- "Customplexing"
(Priority Camera Multiplexing)
- Fast Multiplexing (minimum delay of 2 fields)
- Video Loss Alarm
- Custom VCR Delay Table
- VCR Bypass
- DigiLock VCR Playback Stabilization
- No Special Camera Sync Required
- AGC on all Inputs
- RS-232 Serial Port
- 8 Bit Video
- Dual Code IR Remote Control
- Alternate Languages
(English, Spanish, French, German)

QSP860MPX 8Camera B/W Duplex Multiplexer



Duplex Live / Playback Modes:



SPECIFICATIONS:

Video

EIA /CCIR Compatible

Signal Format :

EIA: 525 Lines, 60 Fields per sec
CCIR: 625 Lines, 50 Fields per secretary

Resolution

512(H) x 512(V) EIA
512(H) X 608(V) CCIR

Camera Inputs:

0.6 TO 1.2p-p 75 Ohm Termination

Camera Sync:

No special Sync Required

Monitor Output:

1.0Vp-p into 75 Ohm Termination

VCR Output:

1.0 Vp-p into 75 Ohm Termination

Electrical

Power: 12V AC @ 3 Amp

Safety: UL Listed, CSA and CE Certified

EMI: FCC Part 15, Class A, and CE Certified

Mechanical

Dimensions: H:2.3" x W:11. 5/16" x D:0.8"

H:61mm x W:288mm x D: 229mm

Weight: 2.6lbs.(1.17kg),Power Supply:01.0lbs(0.45 kg)

Operating Temp: 32 F°- 104 F° (0 C°- 40 C°)

Accessories

ATV Part#	Description:
RCP1	Hardwire Remote
PIDM	Remote Interface
RK - QSP860MPX	Rack Mount Kit
RM- QSP860MPX	Remote Control
PS - QSP860MPX	Power Supply