

## DPX9 9 Camera Duplex Color Multiplexer



IR Remote

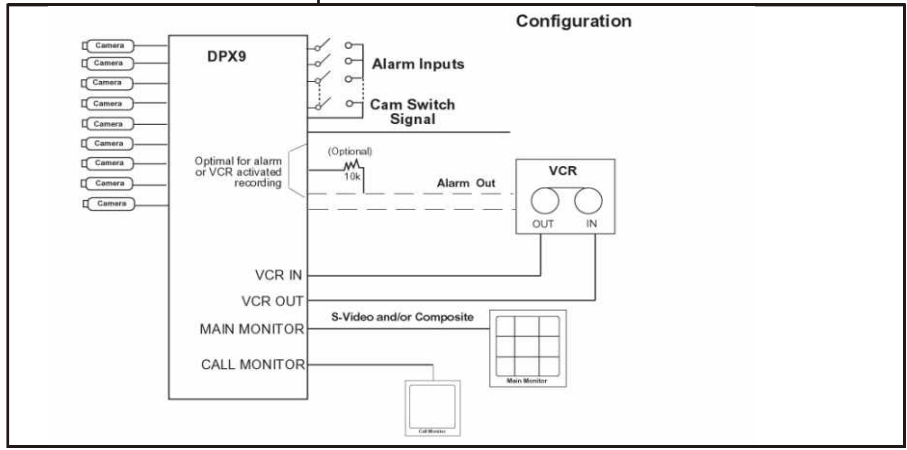
### DPX9

ATV's 9 Camera Full Duplex Color Multiplexer has Real Time Quad View, S-VHS monitor outputs and broadcast quality color reproduction. Includes IR Remote Control, Multi Directional Motion Detection, 5x Zoom and much more! Our quality DPX series is destined to set a new standard for color multiplexing.

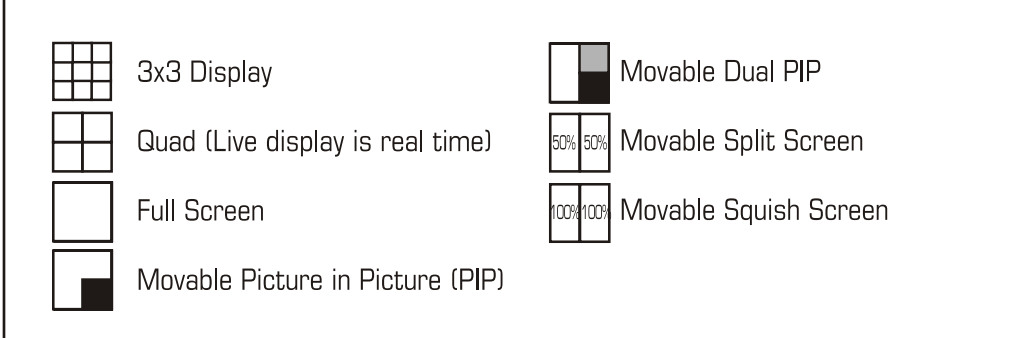
#### Main Features

- |  |   |
|--|---|
| <ul style="list-style-type: none"> <li>Alarming, Custom Alarming, Video Loss Alarm</li> <li>Alarm Log, Alarm Scheduling</li> <li>Enhanced Security Lockout</li> <li>Discreet Camera Lockout (Covert Camera)</li> <li>"Customplexing" (priority camera multiplexing)</li> <li>Custom VCR Delay Table</li> <li>VCR Bypass</li> <li>DigiLock VCR Playback Stabilization</li> <li>AGC on all Inputs</li> <li>RS-232 Serial Port</li> <li>S-VHS Output to Monitor</li> <li>S-VHS Input / Output to VCR</li> <li>Dual Code IR Remote Control</li> <li>High Speed Multiplexing</li> <li>Alternate Language (English, Spanish, German, French)</li> <li>Selectable Text Color</li> <li>9 Camera Input</li> </ul> | <ul style="list-style-type: none"> <li>Full Looping Output</li> <li>Alarm Camera Set</li> <li>Live Roll Free Sequencing in all display modes</li> <li>High Definition Digital Color Processing</li> <li>Simultaneous Record / Playback Utilizing Two VCR's</li> <li>Freeze / Master Enable Input</li> <li>9 Alarm Inputs, 1 Alarm Output</li> <li>Call Monitor Output, Sequencing</li> <li>Camera Switch Input</li> <li>On Screen Menu / Advanced Menu</li> <li>Activity Detection</li> <li>Multi Directional Motion Detection</li> <li>Multi Camera Alarm Displays</li> <li>Alarmed Camera Continuous Recording Option</li> <li>5x Zoom</li> <li>Real Time Quad Display</li> <li>Automatic Daylight Savings Time Feature</li> <li>Serial Commands to PC</li> </ul> |
|--|---|

**DPX9m 9 Camera Full Duplex B/W Multiplexer**



**Duplex / Live Playback Modes:**



**Specifications:**

**Video Signal Format:** NTSC/EIA and PAL/CCIR Compatible  
 NTSC/EIA: 525 Lines, 60 Fields per sec  
 PAL/CCIR: 625 Lines, 50 Fields per sec

**Resolution:** 720(H) x 480(V) (NTSC/EIA)  
 720(H) X 576(V) (PAL/CCIR)

**Camera Inputs:** 0.6 TO 1.2p-p 75 Ohm Termination

**Camera Sync:** No special Sync Required

**Monitor Output:** 1.0Vp-p into 75 Ohm Termination

**VCR Output:** 1.0 Vp-p into 75 Ohm Termination

**Electrical**

**Power:** 12V AC @ 2 Amp  
**Safety:** UL Listed, CSA and CE Certified  
**EMI:** FCC Part 15, Class A, and CE Certified

**Mechanical**

**Dimensions:** H:2.2Σ x W:16.86Σ x D:7.8Σ  
 H:56.4mm x W:432mm x D: 200mm

**Weight:** 7.8lbs.(3.55kg),Power Supply:01.0lbs(0.45 kg)

**Operating Temp:** 32 °F - 104 ° (0 C°- 40 C)°

**Accessories**

ATV Part#:	Description:
RM - DPX9m	Infrared Remote Control
RK - DPX9m	Rack Mount Kit
PS - DPX9m	Power Supply
RCP1	Hardwire Remote
PIDM	Remote Interface