

DPX4 4 Camera Full Duplex Color Multiplexer



DPX4

Now get affordable DPX quality with 4 cameras! Features include Multi Directional Motion Detection, Real Time Quad View, Multiple Languages and more. ATVs 4 camera Multiplexer is destined to set a new standard for color A TV's DPX4 beats the competition on features and price!

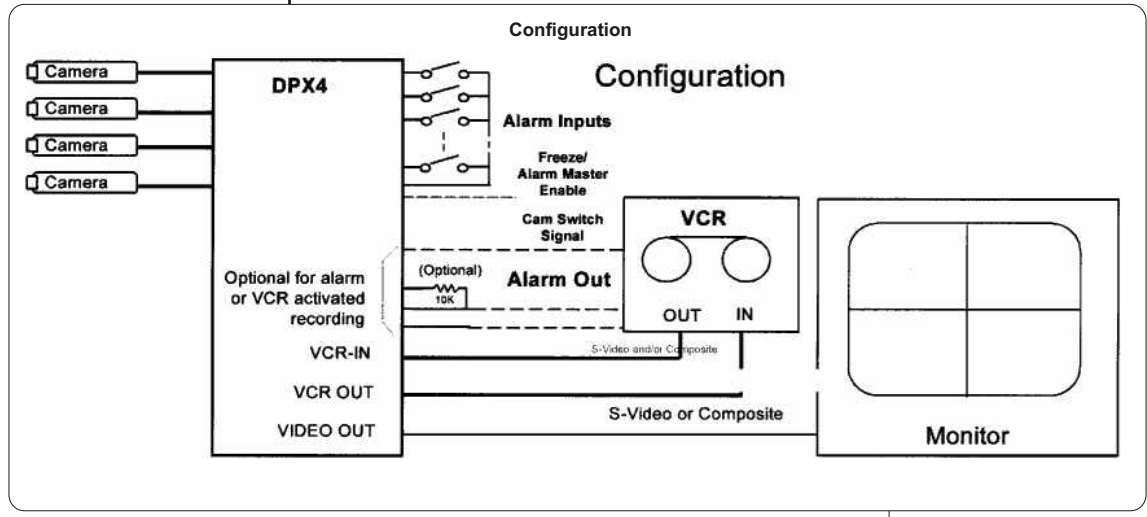


IR Remote

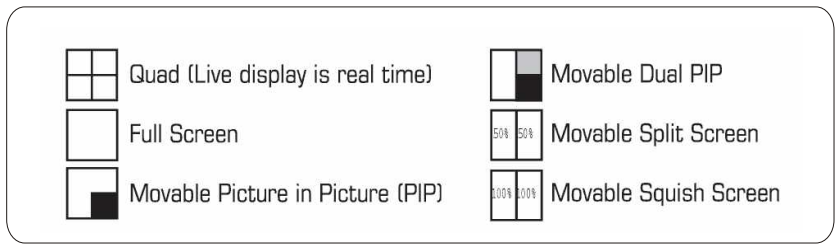
Main Features

- 4 Camera Input
- Full Looping Output
- Alarm Camera Set
- Live Roll Free Sequencing in all display modes
- High Definition Digital Color Processing
- Simultaneous Record / Playback Utilizing Two VCRs
- Freeze / Master Enable Input
- 4 Alarm Inputs, 1 Alarm Output
- Call Monitor Output Sequencing
- Camera Switch Input Time and Date
- On Screen Menu / Advanced Menu
- Activity Detection
- Multi Directional Motion Detection
- Multi Camera Alarm Displays
- Alarmed Camera Continuous Recording Option
- 5x Zoom
- Real Time Quad Display
- Automatic Daylight Savings Time Setting
- Serial Commands from PC
- Alarming, Custom Alarming, Video Loss Alarm
- Alarm Log, Alarm Scheduling
- Enhanced Security Lockout
- Discreet Camera Lockout (Covert Camera)
- "Customplexing" (priority camera multiplexing)
- Custom VCR Delay Table
- VCR Bypass
- DigiLock VCR Playback Stabilization
- AGC on all Inputs
- RS-232 Serial Port
- S-VHS Output to Monitor
- S-VHS Input / Output to VCR
- Dual Code IR Remote Control
- High Speed Multiplexing
- Alternate Language (English, Spanish, German, French)
- Selectable Text Color

DPX4 4 Camera Full Duplex Color Multiplexer



Duplex Live / Playback Modes:



SPECIFICATIONS:

Video
NTSC/EIA and PAL/CCIR Compatible

Signal Format :
NTSC/EIA: 525 Lines, 60 Fields per sec
PAL/CCIR: 625 Lines, 50 Fields per sec

Resolution
720(H) x 480(V) (NTSC/EIA)
720(H) X 576(V) (PAL/CCIR)

Camera Inputs:
0.6 TO 1.2p-p 75 Ohm Termination

Camera Sync:
No special Sync Required

Monitor Output:
1.0Vp-p into 75 Ohm Termination

VCR Output:
1.0 Vp-p into 75 Ohm Termination

Electrical

Power: 12V AC @ 3 Amp
Safety: UL Listed, CSA and CE Certified
EMI: FCC Part 15, Class A, and CE Certified

Mechanical

Dimensions: H:2.2" x W:16.86 5" x D:7.6"
H:56mm x W:432mm x D: 200mm
Weight: 7.8lbs.(3.55kg),Power Supply:01.0lbs(0.45 kg)
Operating Temp: 32 F°- 104 F°(0 C°- 40 C°)

Accessories

ATV Part#	Description:
RM - DPX16m	Infrared Remote Control
RK - DPX16m	Rack Mount Kit
PS - DPX16m	Power Supply
RCP1	Hardwire Remote
PIDM	Remote Interface