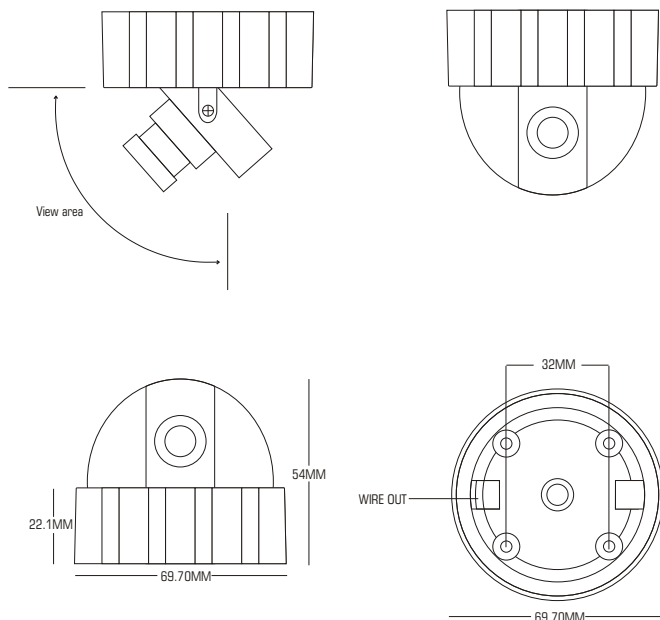


MICRO DOME CAMERA

ADC-104-C(CCIR),ADC-104-E(EIA)
 ADC-144-P(PAL),ADC-144-N(NTSC)
 ADC-164-P(PAL),ADC-164-N(NTSC)



Features

- Ultra Clear Image Performance
- Super Sensitive Low Lux Image Capture -0.1 Lux(ADC-104)
- Electronic Auto Iris (ADC-104,144,164)
- Noise Free Image at Low Light (ADC-104,144,164)
- Wide Dynamic range for Bright lighting conditions (ADC-164)
- Built in high sensitive microphone (Optional)

Camera Specifications

	ADC-104 1/3" B/ W Standard Resolution	ADC-144 1/4"Color Standard Resolution	ADC-164 Color 1/3" High Resolution
Signal system	EIA or CCIR	NTSC or PAL	NTSC or PAL
Imaging device	1/3"- CCD Matsushita	1/4"- Color CCD Matsushita	1/3"- Color Sensor
Scanning system	2:1 interlace	2:1 interlace	2:1 interlace
Sync System	Internal	Internal	Internal
Horizontal Resolution	EIA: 420 TV lines CCIR: 420 TV lines	NTSC: 350 TV lines PAL: 350 TV lines	NTSC: 480 TV lines PAL: 480 TV lines
Signal-to-Noise Ratio	50 dB	48 dB	48 dB
Min. Illumination Sensitivity	0.1 lux (f2.0)	1 lux (f2.0)	1 lux (f2.0)
Video Out	1 Vp-p composite (75 ohm)	1 Vp-p Composite (75 ohm)	1 Vp-p composite (75 ohm)
Gain Control	Auto	Auto	Auto & Manual
Exposure	Electronic Shutter (1/50-60 - 1/100,000)	Electronic Shutter (1/50-60 - 1/100,000)	Electronic Shutter (1/50-60 - 1/100,000)
White Balance	(not applicable)	Auto	Auto / Manual
BLC	Auto	Auto	Auto / Manual
Power Source	12 VDC 250 mA	12 VDC 250 mA	12 VDC 250 mA
Lens	3.8 mm. Fixed	3.8 mm. Fixed	3.8 mm. Fixed
Optional Lens	2.45,6.0,8.0,12.0, 16.0,25.0 Optional	2.45,6.0,8.0,12.0, 16.0,25.0 Optional	2.45,6.0,8.0,12.0, 16.0,25.0 Optional