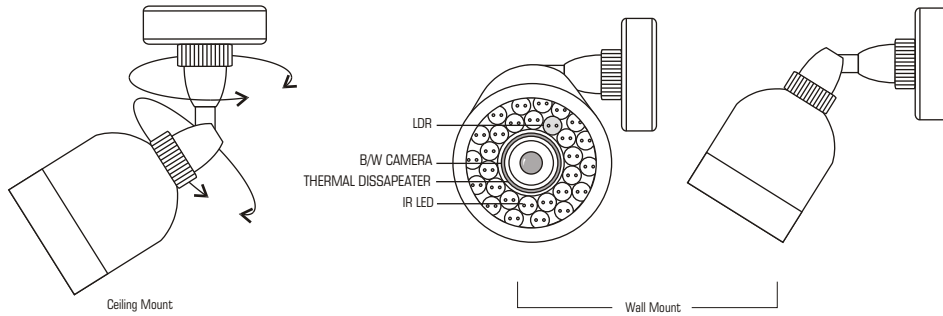


DAY & NIGHT B/W CAMERA

ADC-110-C(CCIR)ADC-110-E(EIA)

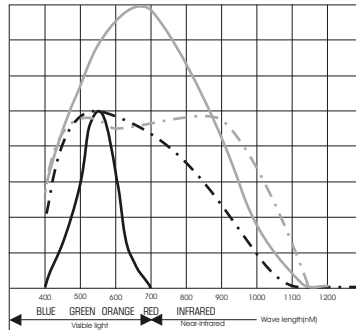


Features

- 1/3" CCD B/W Camera with Infra-Red LED Illuminator
- Water-proof Aluminum Housing
- Wall mount with Feed through Conceal Cable .
- 360 Degree Pan & 360 Degree Tilt Adjustable Wall Mount
- Photocell Activation At Night for Illuminator
- Low Power Consumption

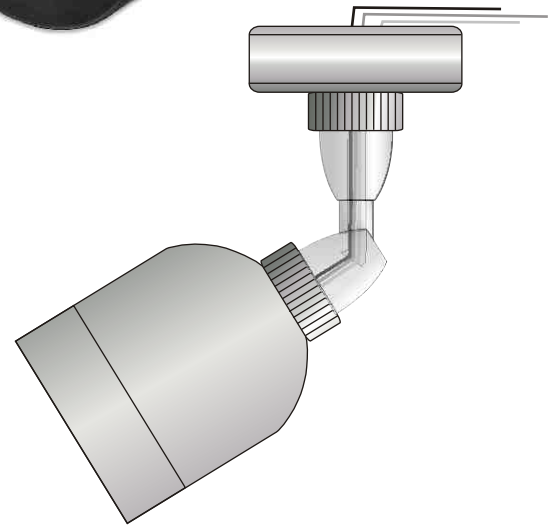
Camera Specifications

DC-110E & DC-110C Black & White Standard Resolution With IR Illuminator.	
Signal system	EIA or CCIR
Imaging device	1/3" - CCD
Scanning system	2:1 interlace
Sync System	Internal
Horizontal Resolution	EIA: 420 TV lines CCIR: 420 TV lines
Signal-to-Noise Ratio	50 dB
Min. Illumination	0.1 lux (f2.0)W/O IR LED. 0 Lux 10 Meter W/ IR LED
Video Out	1 Vp-p composite (75 ohm)
IR Activation sensor	CdS Photocell
IR source	activated < 10 Lux
IR wavelength	840 Nm
IR Illumination angle	70
Gain Control	Auto
Exposure	Electronic Shutter (1/50-60 - 1/100,000)
BLC	Auto
Power Source	12 VDC 250 mA
Lens	3.8 mm. Fixed
Optional Lens	2.45,6.0,8.0,12.0, 16.0,25.0 Optional



— Photoptic curv
- - - - - CCD Camera
- . - . - Extended IR CCD
- - - - - EX-view CCD

Diagram, demonstrates the increased sensitivity of more specialized IR sensitive monochrome cameras. As a result, the camera wavelength extends. Therefore, better image will be achieved in the dark or without light.



- Wall mount with Feed through Conceal Cable .